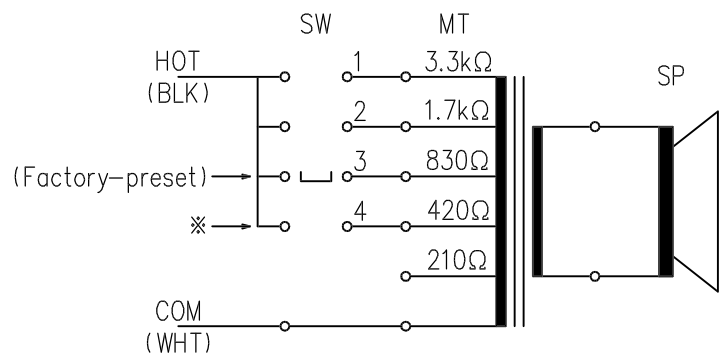
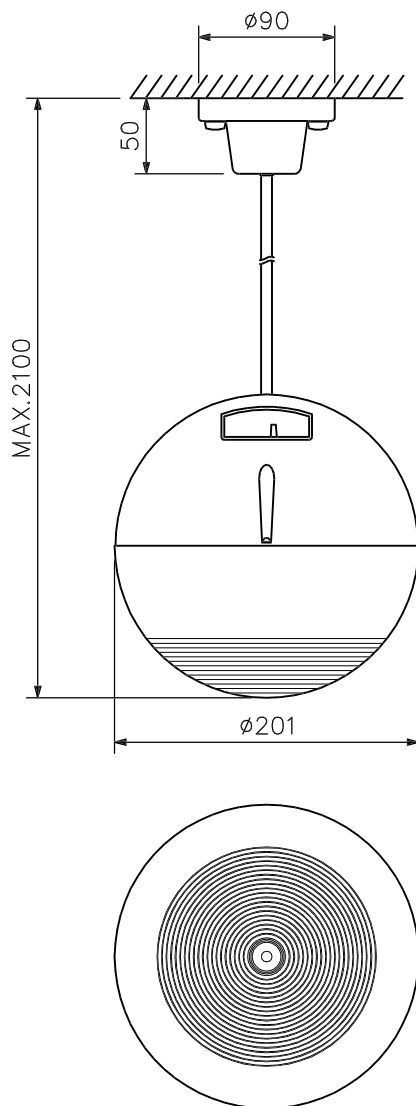


■ SPECIFICATIONS

Rated Input	12 W (70 V and 100 V Line)
Impedance	Factory-preset: 830 Ω Avoid impedance setting of 420 Ω when the line voltage is 100 V, as this will cause damage to the speaker. 100V line: 830 Ω (12 W), 1.7 kΩ (6 W), 3.3 kΩ (3 W) 70V line: 420 Ω (12 W), 830 Ω (6 W), 1.7 kΩ (3 W), 3.3 kΩ (1.5 W)
Output SPL	87 dB (1 W, 1 m)
Frequency Response	150 – 10,000 Hz
Line Voltage	70 V and 100 V Line
Internal Speaker	12 cm dynamic speaker
Weight	1.5 kg
Finish	Case: ABS resin, off white
Accessories	Ceiling cover (white).....1, Ceiling bracket1, Suspension bracket1, Mounting screw (white).....2, Tapping screw 42, ※Machine screw M42, ※Machine screw M32 (※ISO metric screw thread)

■ APPEARANCE



※ When operating the speaker on 100 V line, do not set the impedance selection switch to this position.

DIAGRAM

UNIT:mm SCALE:1/5