

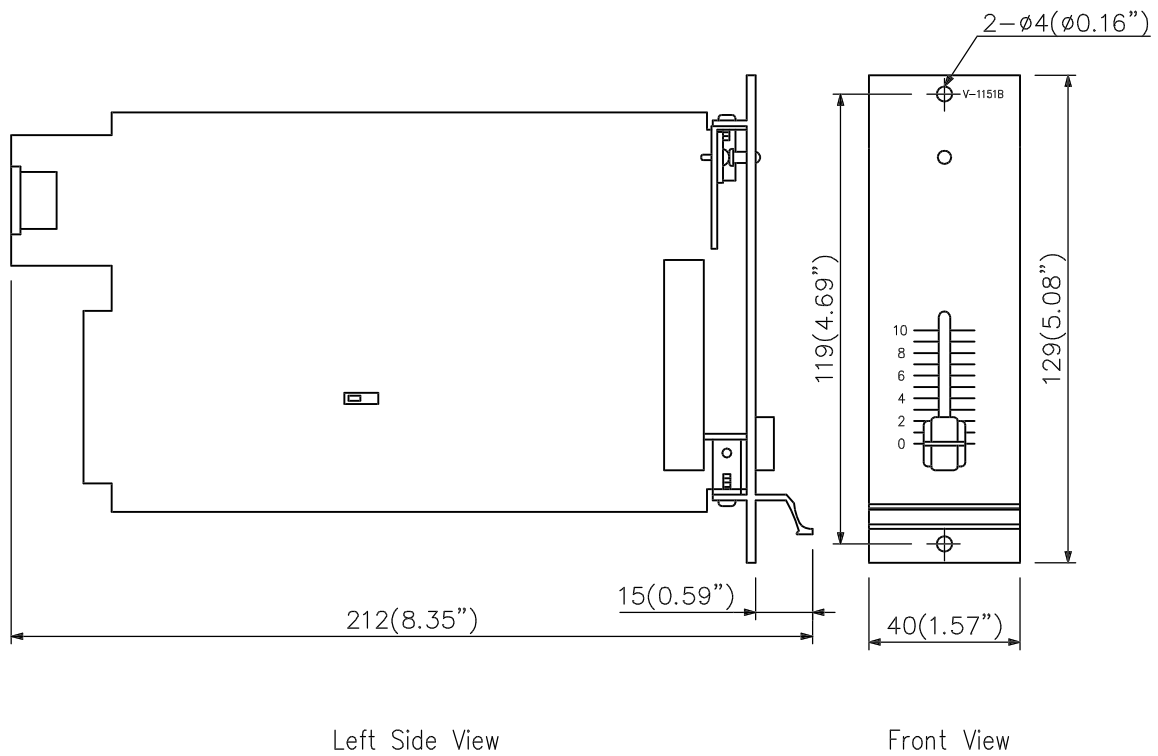
■DESCRIPTION

The V-1151B is a microphone preamplifier module that designed for use with the VM series mixer power amplifier and the mixer frame.

■SPECIFICATIONS

Power Requirement	24 V DC
Current Consumption	30 mA
Input Sensitivity and Impedance	-60 dB 600 Ω, balanced
Output level and Impedance	-20 dBV 10 kΩ
Frequency Response	30 Hz~20,000 Hz ± 1 dB
Speech Filter	-12 dB at 100 Hz
Distortion	Less than 0.3 % (1,000 Hz sine wave)
Noise Level	-125 dBV (20 Hz~20,000 Hz, 200 Ω terminated)
Indicator	Power indicator
Controls	1 X slide volume controls
Programming Function	Speech filter
Connections	Input : 5-pin DIN socket Output and power received : 10-pin card connector
Color	Black
Dimensions(W×H×D)	40 (1.57")×129 (5.08")×212 (8.35") mm
Weight	127 g (0.28 lb.)

■APPEARANCE



UNIT:mm SCALE:1/2