

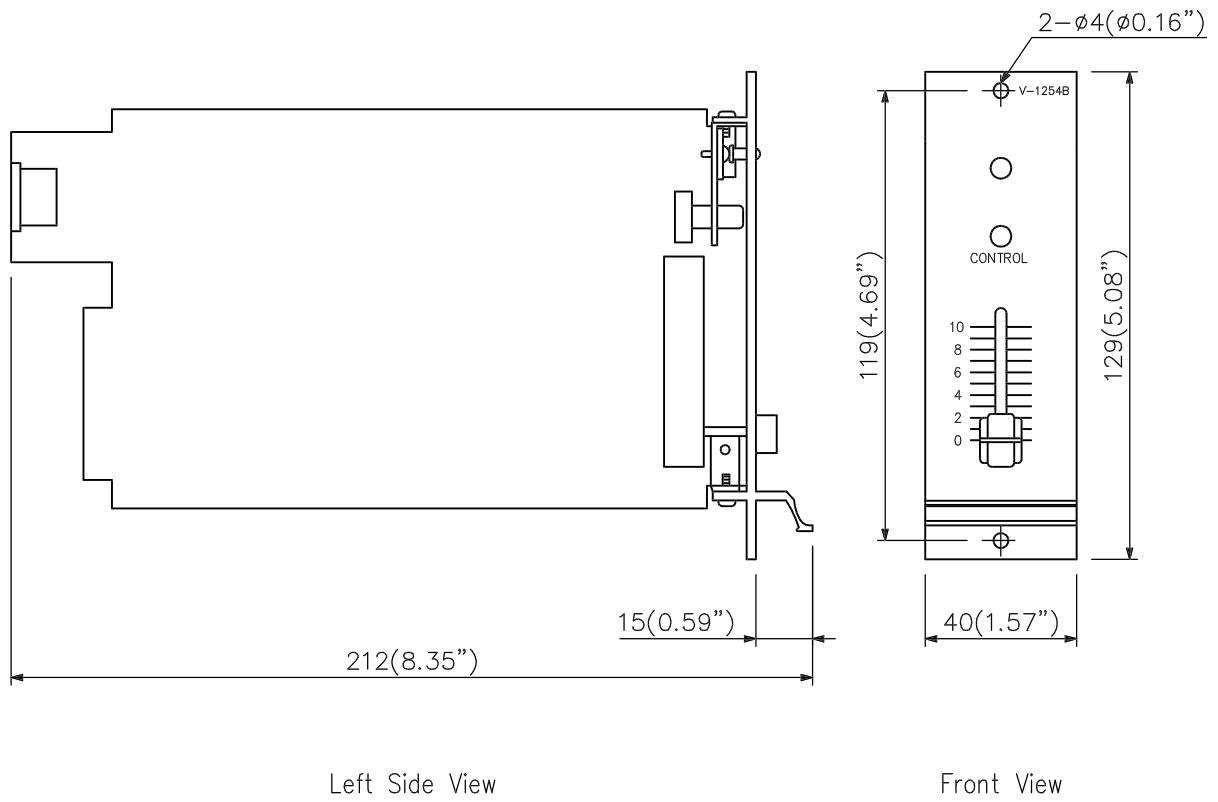
DESCRIPTION

The V-1254B is a line input module with mute function that designed for use with the VM series mixer power amplifiers and the mixer frame.

SPECIFICATIONS

Power Requirement	24 V DC
Current Consumption	17 mA
Input Sensitivity	0 dBV
Input Impedance	50 kΩ (balanced)
Output Level	-20 dBV
Output Impedance	10 kΩ
Frequency Response	30 Hz~20,000 Hz ± 1 dB
Distortion	Less than 0.3 % (f=1 kHz sine wave)
Indicator	In-use lamp (green LED)
Controls	1 slide-type volume control 1 muting level control
Programming Function	1 muting
Connections	Input : 5-pin DIN socket Output and power received : 10-pin card edge connector
Color	Black
Dimensions(W×H×D)	40 (1.57")×129 (5.08")×212 (8.35") mm
Weight	143 g (0.32 lb.)

APPEARANCE



UNIT:mm SCALE:1/2