

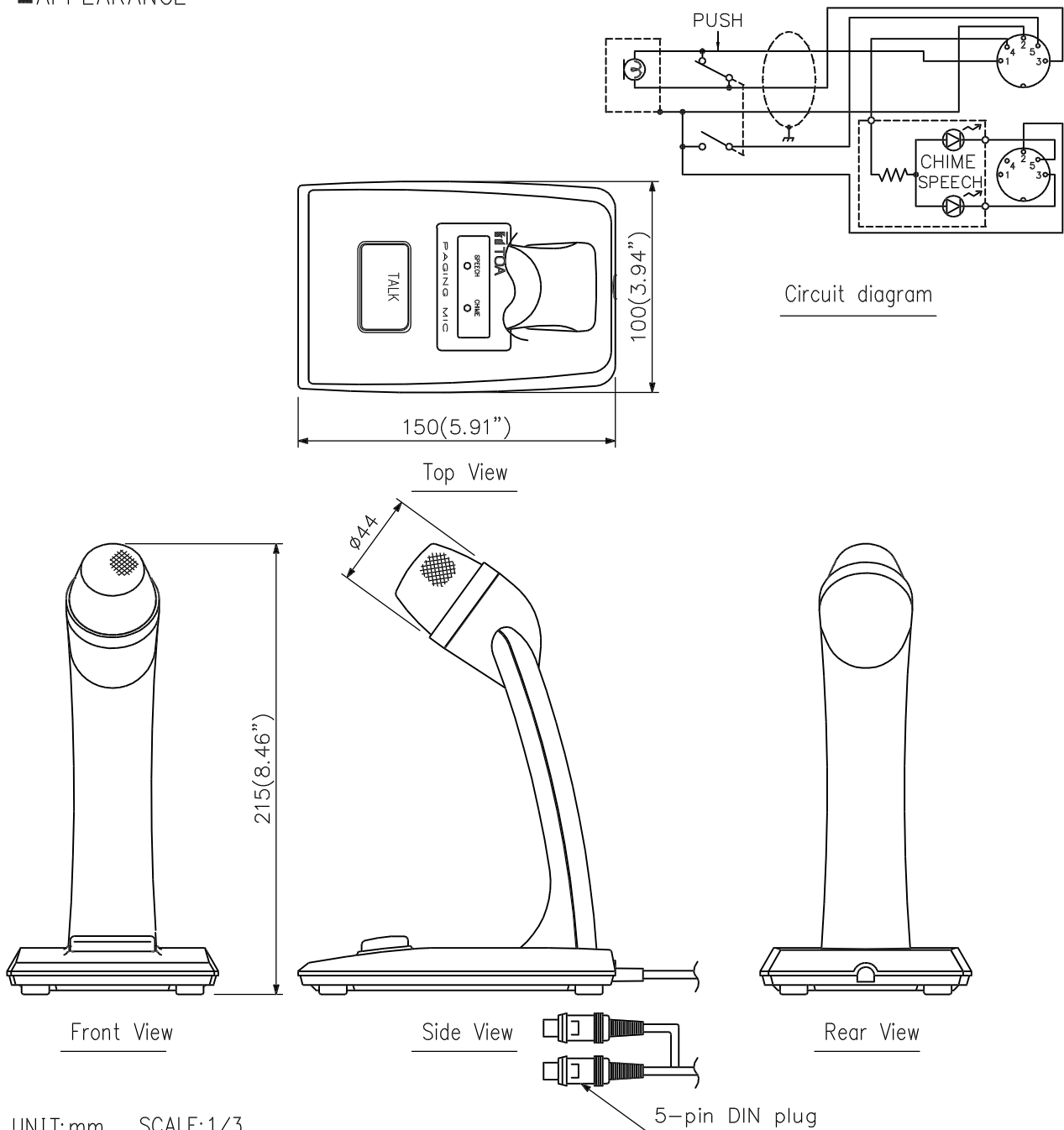
DESCRIPTION

The TOA Paging Microphone VR-1001B has a unidirectional dynamic microphone element and a press-to-talk switch. It is designed for use with the Mixer Frame V-1000 series Microphone Preamplifier and Chime Modules.

SPECIFICATIONS

Type	Dynamic (moving coil) type
Polar Pattern	Cardioid (unidirectional)
Rated Impedance	600 Ω, Balanced
Output Level	-58 dB (1 kHz, 0 dB=1 V/Pa)
Frequency Response	100 Hz~10,000 Hz
Switch	Press-to-talk switch
Indicators	Chime lamp : Red (LED), Speech lamp : Green (LED)
Finish	Microphone head : Zinc plated steel wire, Baked paint, Gray Main unit : ABS resin, Gray
Dimensions(WXHXD)	100 (3.94")×215 (8.46")×150 (5.91") mm
Weight	440 g (0.97 lb.) (cord excluded)

APPEARANCE



UNIT:mm SCALE:1/3

5-pin DIN plug