

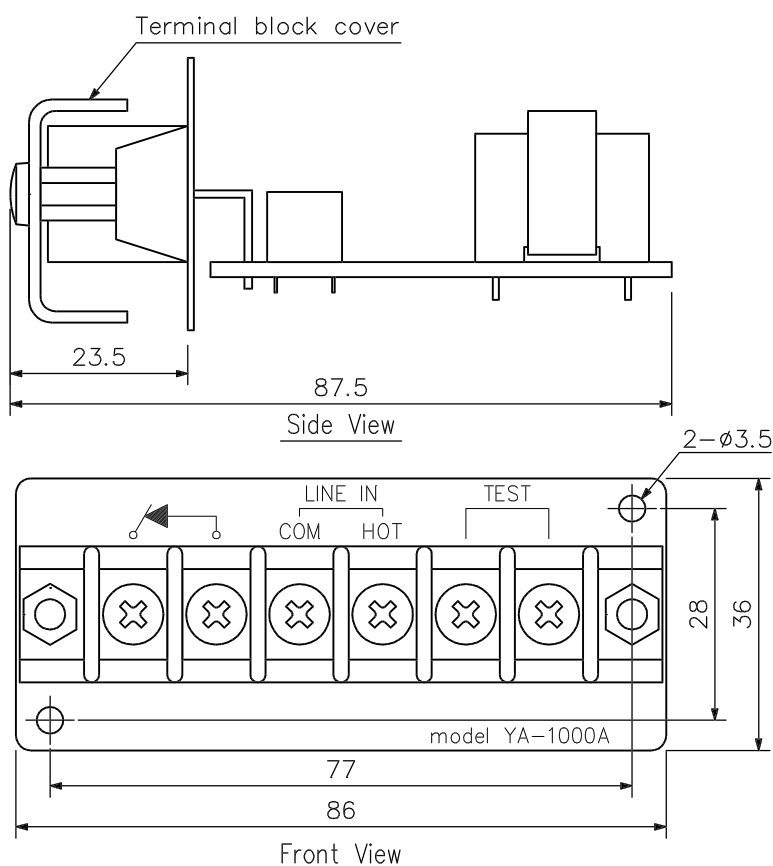
DESCRIPTION

The YA-1000A is installed in a power amplifier to detect the power amplifier's failure. Avoid using the YA-1000A during the power amplifier's parallel operation because it cannot detect a failure correctly.

SPECIFICATIONS

Power Requirements	24 VDC (supplied from the power amplifier)
Power Consumption	20 mA
Input	LINE IN: Connects to the power amplifier's output (high impedance 100 V line) M4 screw terminal, pitch between barriers: 9 mm
Detected Fault Indication	Power amplifier's power indicator is extinguished.
Fault Detection Output	Relay contact closes. Withstand voltage: 30 VDC/Current capacity: 1 A
Usable Amplifiers	VM-1060B, VM-1120B, VP-1060B, VP-1120B, VP-1240B, PA-3640VB
Weight	140 g
Accessories	Terminal block cover...1, Amplifier mounting screw...2, Cover mounting screw...2

APPEARANCE



The conditions that allow the fault detection output (relay contact) to close

1. When the power amplifier is faulty (input signals are not sent out).
2. When no power is supplied to the power amplifier.

Power amplifier			Fault detection output terminal (relay contact)
Power supply	Status	Power indicator	
ON	Normal	Lights green.	Break
	Faulty	Extinguished	Make
OFF	Normal/Faulty	Extinguished	Make

Operation of the fault detection output (relay contact)

[Note] The power amplifier's power indicator is extinguished when an AC or DC fuse is blown off, closing the fault detection output's relay contact.

UNIT:mm SCALE:1/1