

FASHION SPEAKER



FEATURES

- Model FS-30/60/100 are designed for High Quality, Professional sound reproduction.
- Model FS-30/60/100 incorporate a switch to allow connection to either Low Impedance (8ohm) or High Impedance (70/100V line) Loudspeaker Networks.

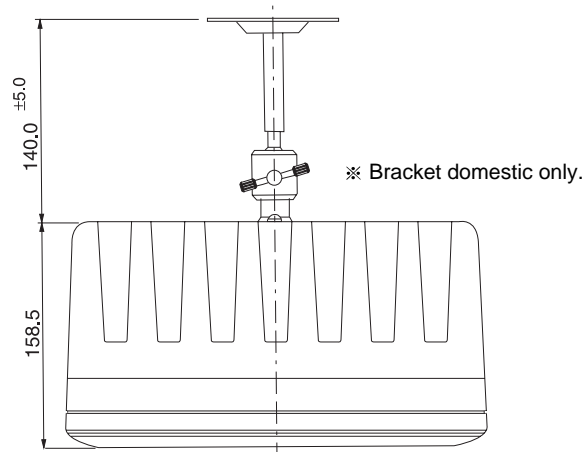
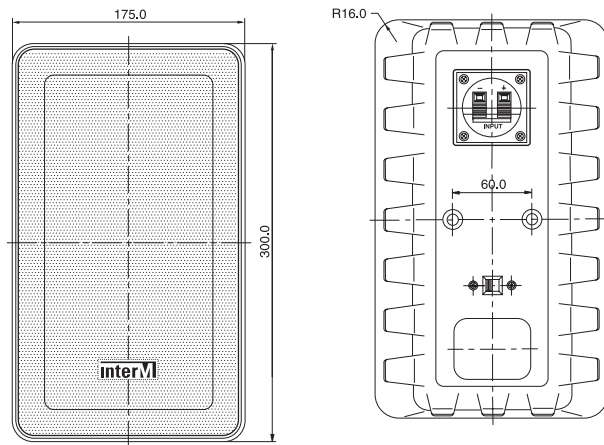
SPEAKER CONNECTIONS

- FS-30/60/100 incorporate colour coded connection terminals, red=positive(+) and black=negative(-).
- Connection terminals are push a fit type to allow easy cable connection.
- Before connecting loudspeakers to the amplifier check the impedance of the network, as damage may occur to either the amplifier or loudspeakers if the impedance is too high or too low.

SPECIFICATION

- ELECTRICAL
 - Rated InputFS-30: 30W
FS-60: 60W
FS-100: 100W
 - Input Impedance.....FS-30: 8/333Ω
FS-60: 8/167Ω
FS-100: 8/100Ω
 - Frequency Response.....180Hz~13KHz
- GENERAL
 - Dimensions.....175(W) X 300(H) X 158.5(D)mm

*Specifications and design are subject to change without notice for improvement.



DIRECTIONAL CURVE

