

MULTIPLE COMPACT DISC PLAYER



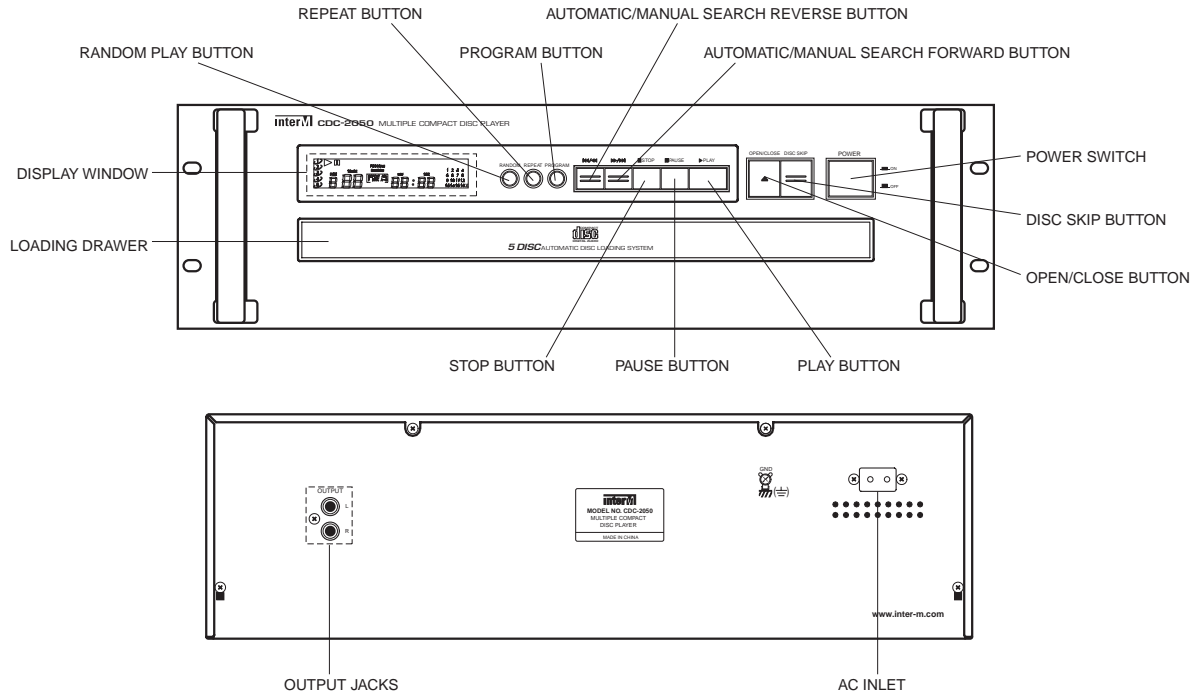
FEATURES

- **CONTINUOUS AND REPEAT PLAY**
Not only continuous and repeat play but programmed play of 5 discs are possible for back ground music purpose.
- **HIGH PERFORMANCE DIGITAL FILTER**
The CDC-2050 uses high precision 8-times oversampling digital filters.
- **SIMPLE PLAYBACK OF 8cm CD SINGLES**
8cm CD signals can be played without using an adaptor.
- **PROGRAMMING OF UP TO 32 TRACKS**
All of the tracks on a CD can be programmed to play in any order.
Programming in units of discs (all tracks on a disc) is also possible.
- **NEWLY DEVELOPED CAROUSEL-TYPE CHANGER MECHANISM INCLUDED**
This mechanism can house five discs, and while one disc is playing the remaining four discs can be changed. In addition, the carousel can be rotated either clockwise or counterclockwise, so searching between discs is fast.
- **RACK MOUNTABLE**
Rack mountable design and modernized feeling is matched with other rack mount system units.

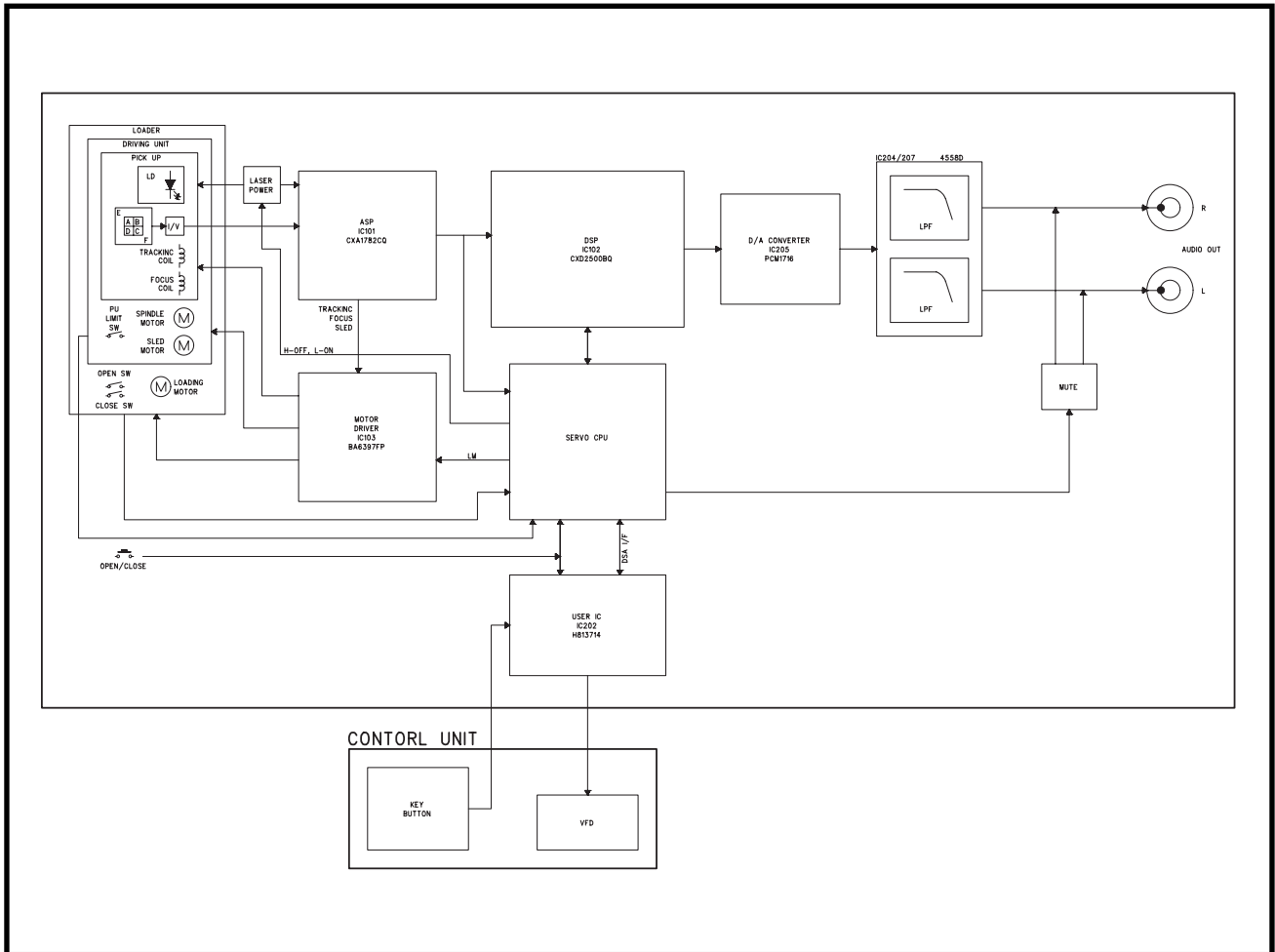
SPECIFICATIONS

- **ELECTRICAL** *0dB=0.775Vrms
 - Frequency Range(± 1 dB).....2Hz~20kHz
 - T.H.D(at 1kHz).....Less than 0.003%
 - S/N.....More than 105dB
 - Dynamic Range.....More than 95dB
 - Wow and Flutter.....Less than the measuring ($\pm 0.001\%$ W,Peak)
 - Audio Output Level.....Variable 0.2~2.0Vrms
- **GENERAL**
 - Power Source.....AC 110V-240V, 50/60Hz
 - Power Consumption.....12W
 - Weight.....7.1kg
 - Dimensions.....482(W) \times 132(H) \times 389(D)mm

CDC-2050



BLOCK DIAGRAM



interM

OFFICE : 653-5 BANGHAK-DONG, DOBONG-KU, SEOUL, KOREA TEL : 82-2-2289-8140~8, FAX : 82-2-2289-8149
 Home page : <http://www.inter-m.com> E-mail : export@inter-m.com

9047931110